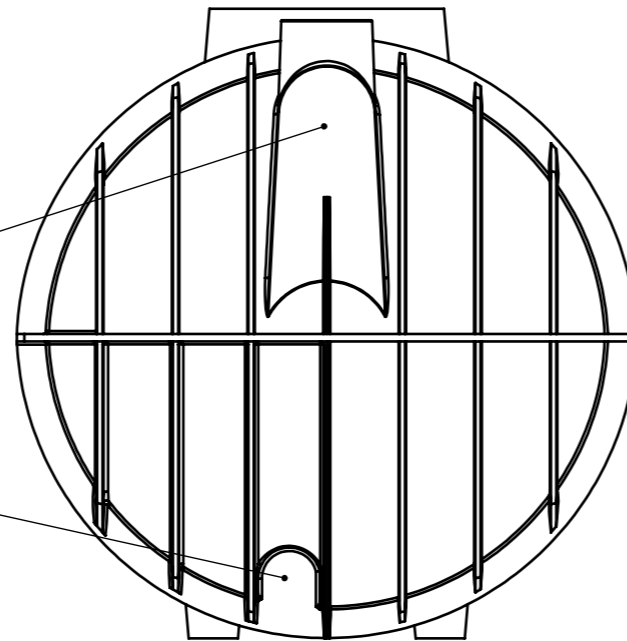
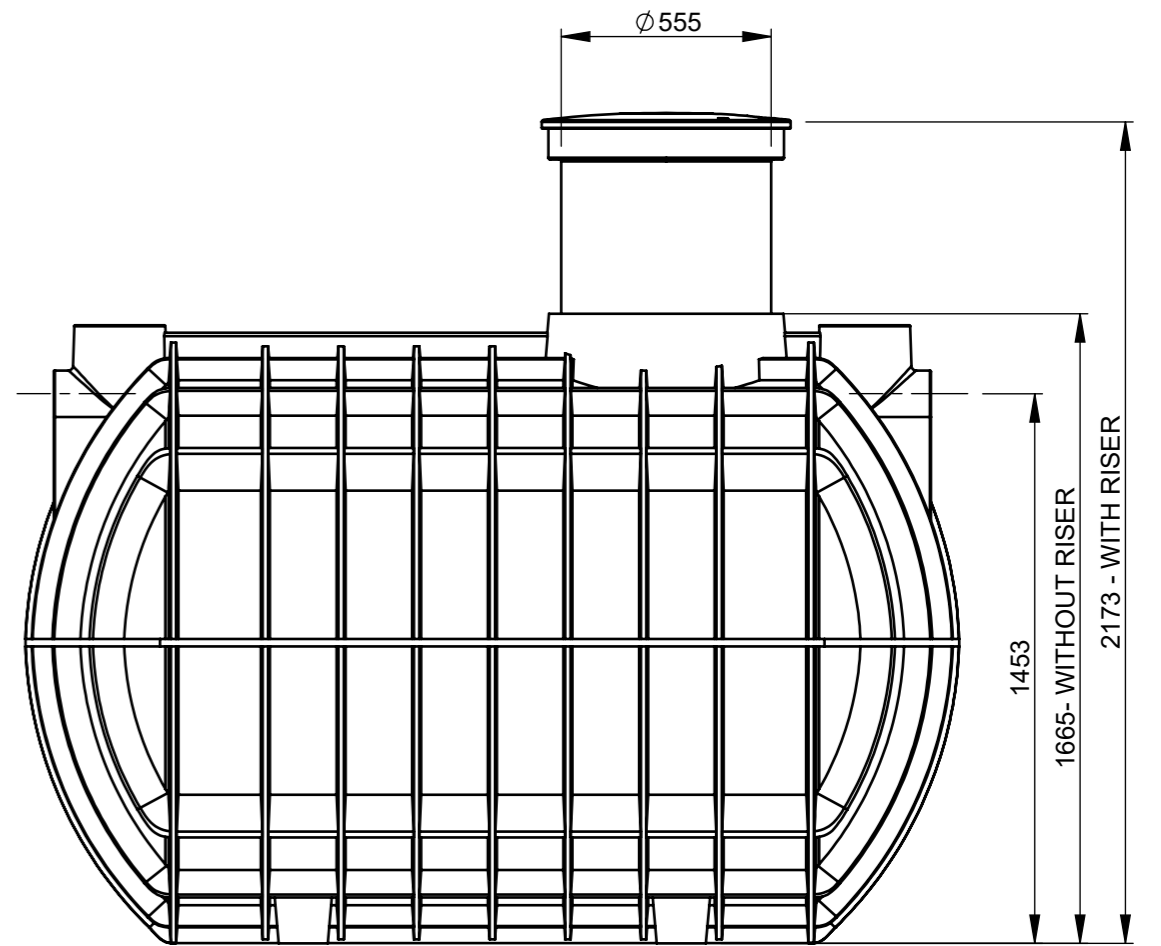
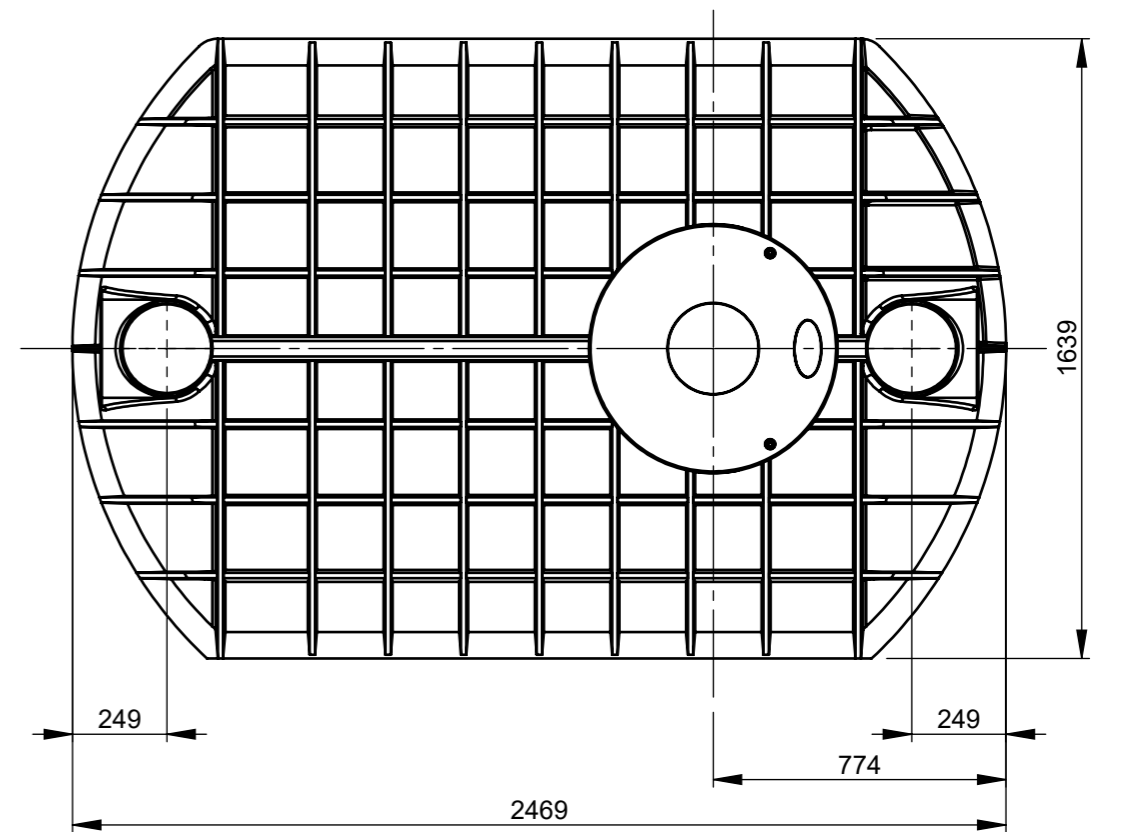


FLAT AREA  
SUITABLE FOR  
OUTLET

FLAT AREA



ELEVATION - RISER REMOVED



NOTE: ALL TOLERANCES UNLESS OTHERWISE STATED  $\pm 10\text{mm} / \pm 1^\circ$   
DO NOT SCALE, USE DIMENSIONS. ALL DIMENSIONS ARE IN mm

This drawing is the property of Polymaster Group Pty. Ltd. It cannot be copied  
in part or in full without the written permission of Polymaster Group Pty. Ltd.

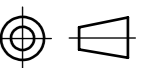


161 KARINIE STREET  
SWAN HILL. VIC.  
3585  
Ph: (03) 5033 9000  
Fx: (03) 5033 0224

DESCRIPTION	3300L Underground Tank
PRODUCT CODE	URT3300
MATERIAL	POLYETHYLENE
COLOUR	BLACK

**A3**  
SHEET SIZE

SCALE: NTS



© POLYMASTER GROUP

DRAWN JT

11-Oct-18

1/1 Rev: A